

# RUBBER EXPANSION JOINT TYPE RS-2

## FLAME-PROOF

## LATERAL EXPANSION JOINT

### DN 25 – DN 300



### STRUCTURE TYPE RS-2 / RUBBER BELLOWS PN 16

- Lateral-expansion joint, consisting of a rubber bellows with rotatable flanges and tie rods (external restraints) to absorb reaction force from internal pressure
- Flat-convoluted molded bellows in various rubber grades
- Steel wire cord reinforcement
- Wire-reinforced self-sealing rubber rim
- Electrical impedance < 100 Ohm (DIN IEC 93, VDE 0303-30)

<b>Rubber grade*</b>	EPDM	NBR
<b>Colour code</b>	orange/blue	red/blue
<b>Possible uses</b>	Hot water, acids, lyes	hydrocarbon containing liquids

\*Check or inquire about the resistance of the rubber grade to temperature and medium.

Technical design	
Max. perm. operating pressure	16 bar*
Max. perm. temperature	+130 °C
Bursting pressure	≥ 50 bar
Vacuum operation	DN 20 – 50 without vacuum supporting ring, DN 65 – 300 with vacuum supporting ring

Max. operating pressure to be set 30 % lower for shock loads.

\*Please consider a decrease of pressure due to temperature (see technical annex).

## FLANGES / VERSIONS

- Flanges with stabilizing collar and ears to carry the tie rods
- Flange drilling for through bolts, DN 25 with Drill holes
- Special machined groove for rubber rim

	Standard	Others
<b>Dimensions</b>	EN 1092	ANSI, BS etc. Connection dimensions see technical annex page 213 – 215
<b>Materials</b>	1.0038 (S235JR)	1.4541, 1.4571 etc.
<b>Corrosion protection</b>	electrogalvanized	hot-dip galvanized, special varnish and coating, etc.

## NOTE

Please comply with the general technical instructions regarding reaction force, moving force, fixed point load, installation instructions etc.

Subject to technical alterations and deviations resulting from the manufacturing process.

Chemicals used for water treatment (particularly in heating systems and coolant systems) can corrode the materials of the rubber expansion joint.

According to VDI Directive 2035, and VGB R 455, the manufacturer of the chemicals must state the data indicating that the materials used in the expansion joint, especially for the rubber bellows, will not be damaged by the chemicals.

## APPLICATIONS

- for reducing thermal and mechanical tension in pipes and their system components, e.g.
  - pumps
  - compressors
  - engines
- for muffling vibrations and noise
  - at appliances
  - in cooling water and lub oil pipes
- for compensating lateral movement
- to compensate for installation inaccuracies
- to meet fire protection regulations
- shipbuilding industry
- in heating plants

## TIE ROD RESTRAINTS

- DN 25 – DN 150 Tie rods carried on silencing rubber sockets
- DN 200 – DN 300 Tie rods carried on spherical washers and conical seats

## Materials

Standard: tie rods 8.8

Others: stainless steel

## Corrosion protection

Standard: electrogalvanized

Others: hot-dip galvanized

## DIMENSIONS STANDARD PROGRAM

DN	BL	Pressure rate	Ø dj Bellows inner Ø	Ø C Raised face outer Ø	Ø E Raised face inner Ø	Ø W* Con-volution Ø	PN Flange connection EN 1902	Ø D Flange outer Ø	b Flange thickness	H Flange height
	mm	bar	mm	mm	mm	mm		mm	mm	mm
25	130	16	31 ± 3	72	39	88	16	115	16	210
32	130	16	31 ± 3	72	39	88	16	140	16	220
40	130	16	39 ± 3	81	45	96	16	150	16	230
50	130	16	49 ± 3	95	56	107	16	165	16	240
65	130	16	65 ± 3	115	72	123	16	185	18	260
80	130	16	77 ± 3	127	84	135	16	200	20	300
100	130	16	100 ± 3	151	109	160	16	220	20	350
125	130	16	127 ± 3	178	133	184	16	250	22	385
150	130	16	153 ± 3	206	161	212	16	285	22	420
200	130	10	202 ± 3	260	209	260	10	340	25	465
250	130	10	252 ± 3	313	262	313	10	395	25	520
300	130	10	303 ± 3	363	312	363	10	445	25	570

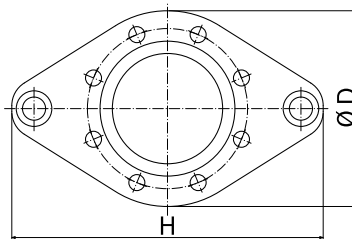
\*unpressurized

From DN 200 pressure rate 16 bar also available with flanges PN 16.

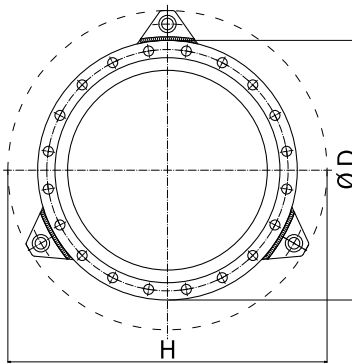
Please contact us for further flange dimensions.

## MOVEMENT COMPENSATION / FLANGE VERSIONS

DN	Δ lat Lateral movement ± mm	Permissible vacuum w/o supporting ring at length BL bar absolute	Weight approx. kg
25	15	-	4.9
32	15	0	5.1
40	15	0.2	5.6
50	15	0.2	6.3
65	15	0.4	7.7
80	15	0.4	10.4
100	15	0.4	12.4
125	15	0.4	16.5
150	15	0.4	19.2
200	15	0.4	22.0
250	15	0.5	30.0
300	15	0.6	37.0



DN 25 - DN 150



DN 200 - DN 300

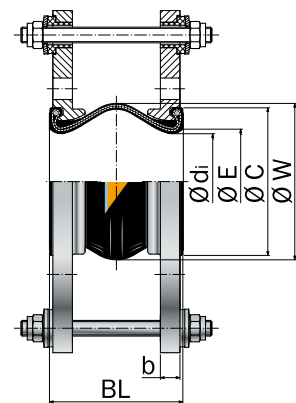
Number of tie rods depending on pressure

### CERTIFICATES

- CE (PED 2014/68/EU)
- Bureau Veritas
- DNV GL® / DNV®
- Lloyd's Register of Shipping
- TÜV/DIN 4809 (DN 25 - 200)
- TÜV Süd (KTA)
- MED
- American Bureau of Shipping

### ACCESSORIES

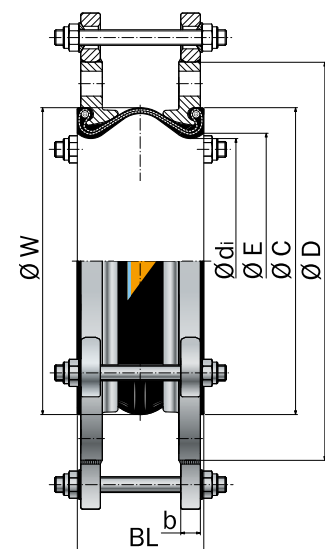
- Vacuum supporting ring
- Internal guide sleeve
- Flame-proof protective cover
- Protective hood



DN 25 - DN 150

#### Type RS-2

Tie rods, external restraints, carried on silencing rubber sockets



DN 200 - DN 300

#### Type RS-2

Tie rods, external restraints, carried on spherical washers and conical seats